



Non-Magnetic MIU on Water Meters

Meter Interface Unit (MIU)

ZHTI's latest innovation, the **modular-designed** Meter Interface Unit (MIU) with in-built patented pulse sensor, is able to fit on most inductive pulse-enabled water meters. The MIU can be latched onto existing water meters doing away with the need for a water meter replacement. It has the ability to collect and transmit accurate meter readings to the softwares, providing our clients with unprecedented real-time data transmission to the back-end devices.

Key Features



Leak Detection



Compatible with Most Pulse-Enabled Meters



Long Battery Life (More than 12 years)



Modular Network



Anti-Tampering



Customizable Meter Data Collection and Transmission Interval



Internal Memory Data Storage

Technical Specification

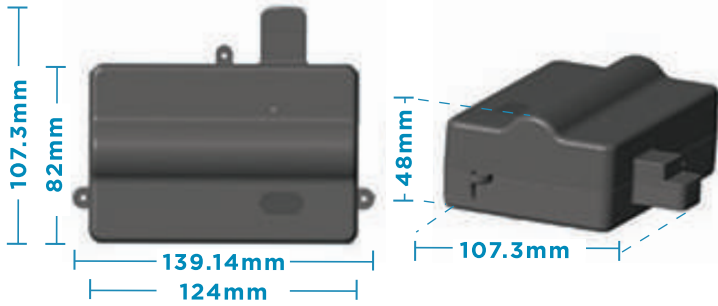
Specification	Descriptions
Battery Life	More than 12 years
Transmission Power	22 dBm \pm 2dBm
Maximum Current	10mA
Standby Current	< 50 μ A
Operating Humidity	0 - 95%
Operating Temperature	-20°C to 70°C

Benefits

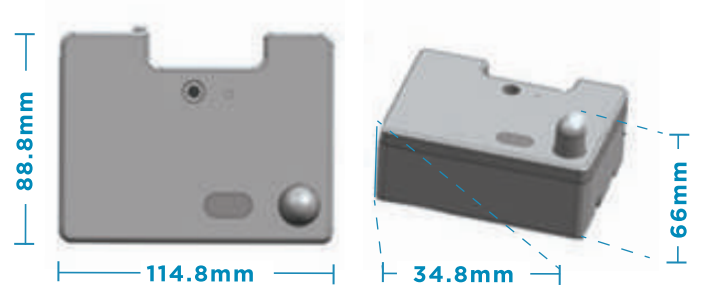
- ✓ Reduce manual labour - No more manual readings required
- ✓ Wireless solution - No cable required
- ✓ Instant message notification under unusual conditions (Leakage, damage of pipe etc)
- ✓ Data transmission to clients existing software or ZHTI NRW SCADA
- ✓ Easy to install and no maintenance required

Dimension

Magnetic MIU



Non-Magnetic MIU



1 Main Pipe Network
MIU deployed to measure total volume of water supplied and received from water treatment plants. Readings recorded can be analyzed to detect leaks in main pipes.

2 Top Water Customers
MIU deployed for top water users. Top 20% of users typically contribute to 80% of water usage. Suitable for agencies with undeveloped or underdeveloped remote metering infrastructures.

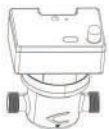
3 Secondary Pipe Network
MIU deployed to monitor water usage of various District Metering Areas (DMAs). Suitable for agencies exploring DMA solutions.

4 City-Wide Deployment
MIU deployed in residential areas and commercial buildings to understand consumption behaviours. Suitable for agencies that aims to reduce NRW and optimize plant operation and planning.

Meter Interface Unit Deployments

Level of deployments in pipe network system

Applications



Non-Magnetic MIU for Water and Gas Meter



Magnetic MIU for Gas Meter

Certifications



IEC60068-2-38

(International Environment Testing Composite temperature / humidity cyclic test)



EMC / EMI

(Electromagnetic Compatibility/ Electromagnetic Interference)